

Cryogenic Vial (with Dual-Color Cap and Knurling)

JET BIOFIL Cryogenic Vial (with Dual-Color Cap and Knurling) is made of PP material conforming to USP Class VI standards. Withstands ultra-low temperatures and repeated freeze-thaw cycles. External knurled design enables automation compatibility. Dual-color cap, manufactured via co-injection molding, ensures superior leak-proof sealing. Ideal for storage and transport of antibodies, proteases, buffers, and other biochemical reagents and samples.



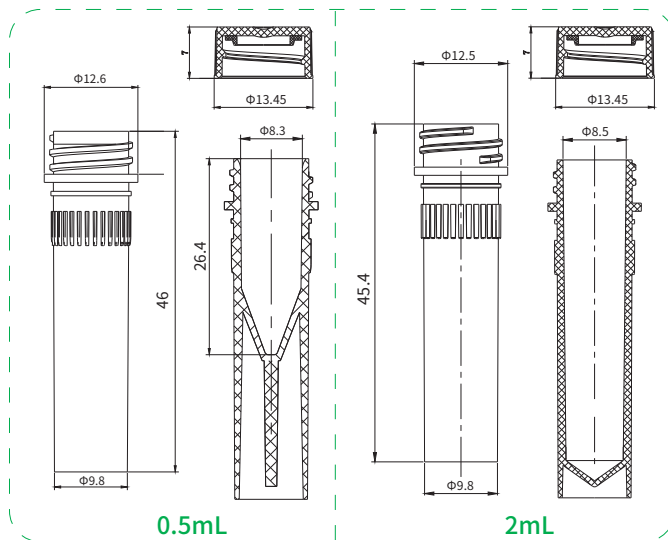
- Capacity: 0.5 mL 2.0 mL
- Cap Type: Dual-color cap
- Bottom Type: Self-standing
- Material: Tube Body: Polypropylene (PP), Tube Cap: Polypropylene (PP), Cap Gasket: Thermoplastic Elastomer (TPE), conforming to USP Class VI standards

Features

- Made of medical-grade high-quality PP material with defined composition, Animal Derived Component(ADC) Free
- Smooth interior and exterior surfaces with high transparency; graduation-free design for easy observation
- External knurled design enables automation compatibility, provides anti-slip properties for easy cap rotation, and reinforces tube structure
- Dual-color cap, manufactured via co-injection molding, ensures superior sealing performance
- Subjected to rigorous sealing performance testing at -90 kPa, no leakage or deformation
- Working temperature range: -196°C (LN₂ gas phase) to 121°C
- Sterilized by irradiation, SAL 10⁻⁶
- DNase/RNase-free, non-pyrogenic and non-cytotoxic



Product Dimension (mm)



Ordering Information

Cat. No.	Capacity (mL)	Cap	Bottom	Cap Color	Tube Color	Graduation Line	Sterile	Package	Qty. Per Bag	Qty. Per Case
FCT581005	0.5	Dual-Color Cap	Self-Standing	Natural	Natural	N	Y	Bag	50	5000
FCT581020	2.0	Dual-Color Cap	Self-Standing	Natural	Natural	N	Y	Bag	50	5000

Shelf life: 3 years when stored in original unopened packaging in cool and dry conditions (15-30 °C).



Official Website



LinkedIn



Youtube

Guangzhou Jet Bio-Filtration Co., Ltd.

Guangzhou Huangpu Industrial Park: Add: No.1 DouTang Road, YongHe Development Zone, Guangzhou 511356, China

Guangzhou Zengcheng Industrial Park: No. 114, Chuangye Avenue, Ningxi Street, Zengcheng District, Guangzhou, Guangdong, 511356, P. R. China

Tel: 400-8717-688 / 020-32811888 Web: www.jetlifescience.com E-mail: info@jetbiofil.com